

Version 2

## Specification For LED Panel light

**PRODUCT NAME:** LED Panel light

**PART NO:** High luminous efficiency (140LM/W)

CE



ROHS



## \*\* Table Of Content \*\*

1.Features.....	2
2.Applications.....	2
3.Electrical/Optical Characteristics/specification.....	3-4
4.Photo.....	5
5.Installation Instruction.....	6
6.Maintenance.....	7
7.Notes.....	9

## Features

- ★ Using Hi-quality,Hi-brightness LED as lighting source,high efficiency and energy-saving, free from glare and flicker,and has average luminous surface.
- ★ Aluminum heat-sink base and No Glare
- ★ Long-lifespan on average over 50 thousand hours is more than 10 times of traditional lamps.
- ★ Adopting lampshade materials with more than 90% light transmittance,and aluminum aluminum alloy of high thermal conduction as lamp shell.
- ★ Wide range of input voltage:AC200-240V.
- ★ New high efficiency constant current driver.
- ★ Instant start,no flickering,no humming.
- ★ Special circuit design,four sides into the light,resorted to light more efficiently and evenly.
- ★ No electrical wave,conforming to CE.
- ★ Green environmental protection,lead-free material,conforming to ROHS.
- ★ No RF interference.
- ★ Decrease the maintenance fee,can be used for a long time without changing for new one.

## Applications:

- ★ Hotels
- ★ Factories&Offices
- ★ Commercial Purposes
- ★ Residential/Institution Buildings
- ★ Schools,Colleges&Universities
- ★ Hospitals
- ★ Othe Lighting



## Electrical/Optical Characteristics/Specifications

### MODEL:SRPL60X60-36WH (with Philips flicker free led driver and Ultra-high brightness leds)

Input Voltage	Max.Current	Operating Voltage	Constant Current	Power Consumption	Power Factor	
AC200-240V	0.23A	DC40V	0.80A	36W	≥0.95	
LED Type	LED Q'ty	CRI	CCT	2800-3200K	4000-4500K	5000-5500K
			Luminous efficiency	130LM/W	140LM/W	140LM/W
SMD4014	210PCS	≥80Ra	Luminous flux	4680LM	5040LM	5040LM
			Beam Angle	120°		
Life Time	Certifications	IP Code	Luminaires Class	product dimension	N.W	
50.000Hours	CE,RoHS	IP41	ClassIII	595*595*9MM	2.8Kg	
Operating Temperature	Storage Temperature	Humidity Operating	Humidity Storage	Packing dimension	G.W	
-20°Cto+50°C	-30°Cto+60°C	10-80%RH	10-90%RH	645*35*665MM	3.0Kg	
Outer carton package	6*1layer=6PCS/carton,K=K corrugated paper, L665*W235*H680mm,GW:19KG					
Optional dimming type	1-10V dimming / Thyristor dimming / DALI dimming					

### MODEL:SRPL62X62-40WH (with Philips flicker free led driver and Ultra-high brightness leds)

Input Voltage	Max.Current	Operating Voltage	Constant Current	Power Consumption	Power Factor	
AC200-240V	0.23A	DC40V	0.90A	40W	≥0.95	
LED Type	LED Q'ty	CRI	CCT	2800-3200K	4000-4500K	5000-5500K
			Luminous efficiency	130LM/W	140LM/W	140LM/W
SMD4014	224PCS	≥80Ra	Luminous flux	5200LM	5600LM	5600LM
			Beam Angle	120°		
Life Time	Certifications	IP Code	Luminaires Class	product dimension	N.W	
50.000Hours	CE,RoHS	IP41	ClassIII	620*620*11.3MM	3.2Kg	
Operating Temperature	Storage Temperature	Humidity Operating	Humidity Storage	Packing dimension	G.W	
-20°Cto+50°C	-30°Cto+60°C	10-80%RH	10-90%RH	670*35*690MM	3.4Kg	
Outer carton package	6*1layer=6PCS/carton,K=K corrugated paper, L690*W235*H710mm,GW:21KG					
Optional dimming type	1-10V dimming / Thyristor dimming / DALI dimming					

## Electrical/Optical Characteristics/Specifications

### MODEL:SRPL30X120-36WH (with Philips flicker free led driver and Ultra-high brightness leds)

Input Voltage	Max.Current	Operating Voltage	Constant Current	Power Consumption	Power Factor	
AC200-240V	0.23A	DC40V	0.80A	36W	≥0.95	
LED Type	LED Q'ty	CRI	CCT	2800-3200K	4000-4500K	5000-5500K
			Luminous efficiency	130LM/W	140LM/W	140LM/W
SMD4014	210PCS	≥80Ra	Luminous flux	4680LM	5040LM	5040LM
			Beam Angle	120°		
Life Time	Certifications	IP Code	Luminaires Class	product dimension	N.W	
50.000Hours	CE,RoHS	IP41	ClassIII	1195*295*11.3MM	3.0Kg	
Operating Temperature	Storage Temperature	Humidity Operating	Humidity Storage	Packing dimension	G.W	
-20°Cto+50°C	-30°Cto+60°C	10-80%RH	10-90%RH	1265*35*345MM	3.2Kg	
Outer carton package	6*1layer=6PCS/carton,K=K corrugated paper, L1285*W235*H365mm,GW:20.0KG					
Optional dimming type	1-10V dimming / Thyristor dimming / DALI dimming					

### MODEL:SRPL60X120-60WH (with Tsong flicker free led driver and Ultra-high brightness leds)

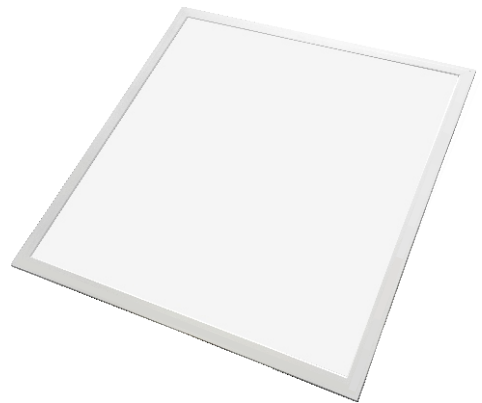
Input Voltage	Max.Current	Operating Voltage	Constant Current	Power Consumption	Power Factor	
AC200-240V	0.36A	DC40V	1.35A	60W	≥0.95	
LED Type	LED Q'ty	CRI	CCT	2800-3200K	4000-4500K	5000-5500K
			Luminous efficiency	130LM/W	140LM/W	140LM/W
SMD4014	420PCS	≥80Ra	Luminous flux	7800LM	8400LM	8400LM
			Beam Angle	120°		
Life Time	Certifications	IP Code	Luminaires Class	product dimension	N.W	
50.000Hours	CE,RoHS	IP41	ClassIII	1195*595*11.3MM	6.0Kg	
Operating Temperature	Storage Temperature	Humidity Operating	Humidity Storage	Packing dimension	G.W	
-20°Cto+50°C	-30°Cto+60°C	10-80%RH	10-90%RH	1275*35*645MM	6.2Kg	
Outer carton package	3*1layer=3PCS/carton,K=K corrugated paper, L1295*W130*H665mm,GW:22.0KG					
Optional dimming type	1-10V dimming / Thyristor dimming / DALI dimming					

# Product Photo



140 LM/W

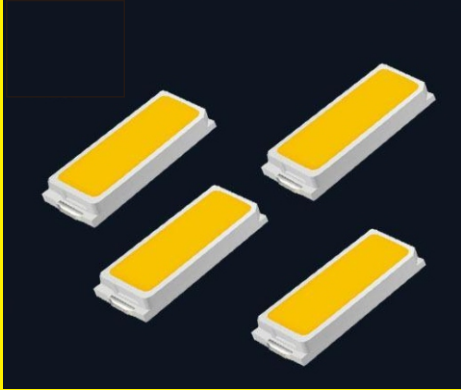
# Version 2



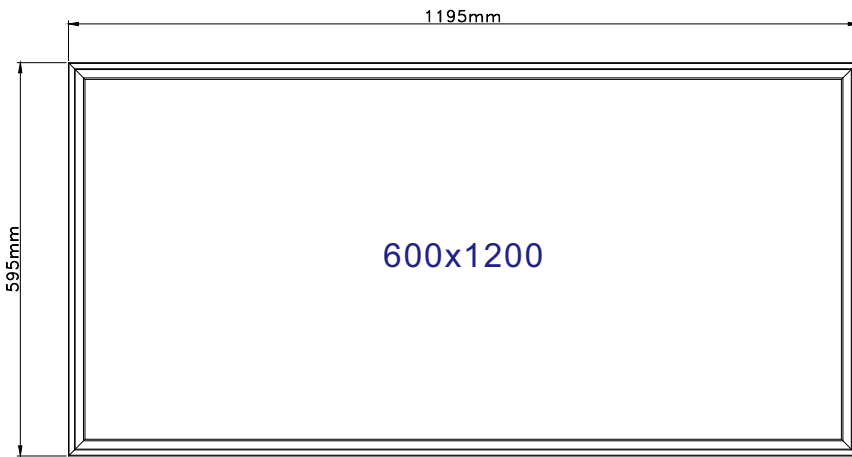
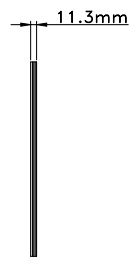
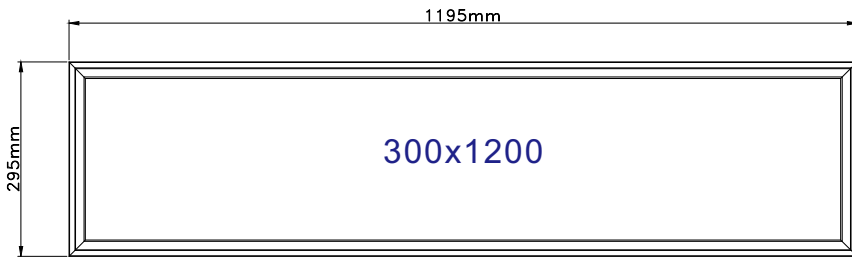
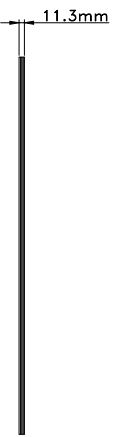
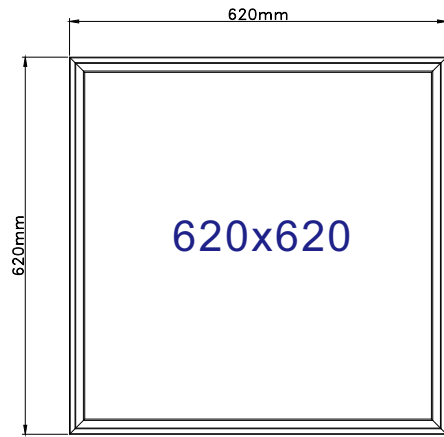
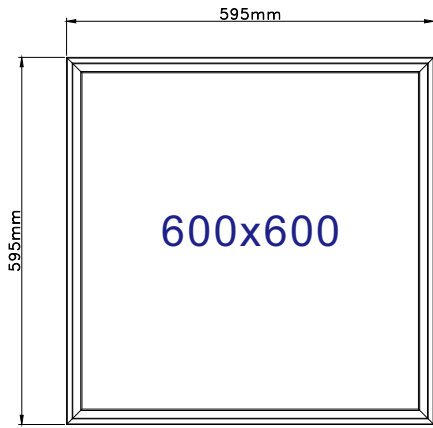
# PHILIPS Flicker Free LED Driver



# Ultra-high Brightness Leds

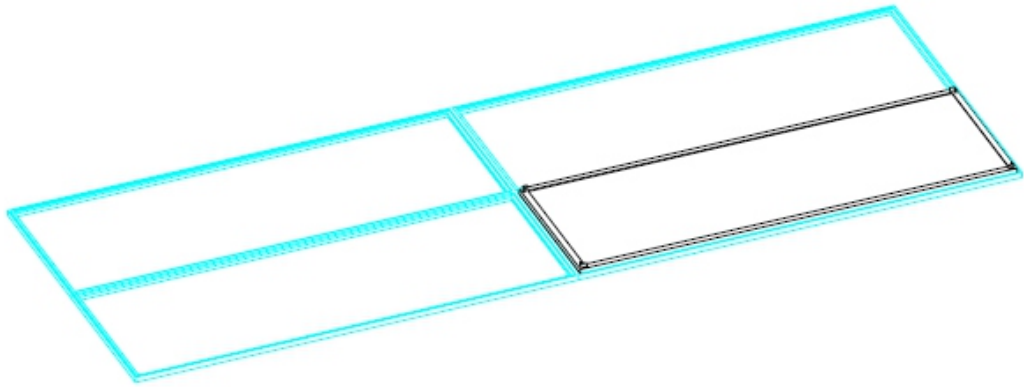


# Product Dimension

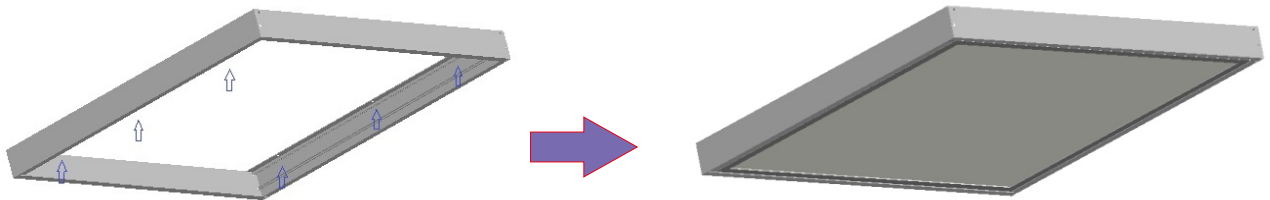


## Installation Instruction

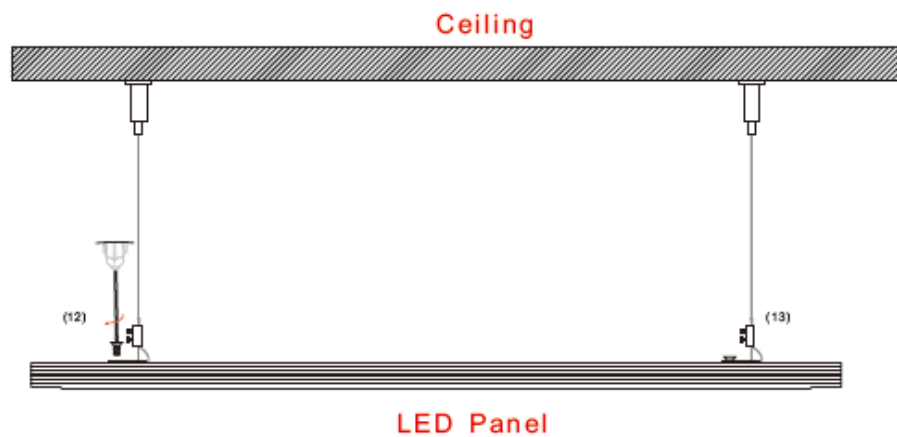
### 1. In-built



### 2. Mounting



### 3. Suspending



## Installation:

- 1.This product should be installed by trained electricians.
- 2.Check integrality of the products when unpack the packing.
- 3.The distance between the light and any flammable materials must not less than 0.2m.The distance between the upper part of the installed light and the ceiling must not be less than 2cm.The light must not be installed into ceilings or walls that contain heat-insulating material.The main cable must not connect with the low voltage cable or the surface-mounted lights.
- 4.Guide the lights'connecting cables through the drilled-out hole,and fix the surface-mounted lights with the pre-fitted clips.Make sure that these are securely connected to the base material.
- 5.when laying the cables,make sure that the cables and plugs are not subjected to any tensile or twisting forces.Fit the cable tension relieving mechanisms to the connection points of the surface-mounted lights.Do not kink cables.Output cables should be laid separately and at a distance from other cables.
- 6.After installation,connect the transformer to the mains supply.
- 7.Proceed by connecting the wiring cables to the luminaries.Usually,the brown wire is the live wire,connect it with the terminal marked"L".The blue wire is Neutral wire,connect it with the terminal marked"N".
- 8.Use only the LED driver included,and do not connect the surface-mounted lights to other loads.
- 9.Do not remove the name plate of the power supply and driver of the light.

## Maintenance:

- 1.Prior to cleaning the light,make sure it has been disconnected from the power supply.
- 2.Use a dry or slightly moistened cloth for cleaning.
- 3.Never use any chemicals or abrasives for cleaning.

## Notes:

1. Please always use the light out of its package.
2. Before starting use of the light, please check if the light was damaged during transportation. If any damage shown, please DO not install or use it.
3. Any maintenance should be performed by trained professionals only.
4. Keep packaging material away from the reach of children and pets. Risk of suffocation!
5. Caution. The packaging contains small parts that may be swallowed by children.
6. Never leave children unattended in the vicinity of the lights and do not allow them to play with electrical devices.
7. Try to avoid looking directly in the LED beam-especially for extended periods of time. Do not shine the LED light in another person's eyes.
8. Never cover the lights by other objects.
9. Never allow the light to come into contact with open flames or external heat sources.
10. The products need to re-repair inspection or special treatment of retirement after service time
11. Non-professionals are not allowed to disassemble and maintain the products. We have the right not to provide after-slae service if unauthorized disassembly and maintenance happens to the products.