



Specification For LED Track Lamp

PRODUCT NAME: LED Track Light (Integrated Version)

PART NO: STK10W230V STK20W230V
STK30W230V STK40W230V

CE



ROHS



Features

- ★ High brightness COB track light, no infrared, UV, mercury pollution.
- ★ 60% Energy saving, compared with conventional halogen lamp.
- ★ 49999H lifespan, Aluminum with PC construction no potential risk of broken for transportation.
- ★ Solid light source, no potential risk to fade the color for lighting.
- ★ Solid light source, no potential risk to fade the color for lighting.
- ★ Optical PC diffuser, lighting comfortable.
- ★ Warm/nature/cool white all available with high CRI.
- ★ Quick response, Flickerfree and dazzle.

Applications:

Used in business places, exhibition halls, museums, cabinets, offices, front desk, pantries, meeting rooms, home decorative lighting and so on.



Photo



Integrated Version
LED Driver



Electrical/Optical Characteristics/Specifications

Power

10W	20W	30W	40W
-----	-----	-----	-----

Size

Light cup(Φ 60*120mm) Driver(151*32*46mm)	Light cup(Φ 65*130mm) Driver(151*32*46mm)	Light cup(Φ 78*160mm) Driver(151*32*46mm)	Light cup(Φ 90*158mm) Driver(151*32*46mm)
--	--	--	--

LED Type

COB 1 pcs	COB 1 pcs	COB 1 pcs	COB 1 pcs
-----------	-----------	-----------	-----------

CRI / brightness

CRI>90Ra	CRI>90Ra	CRI>90Ra	CRI>90Ra
1050LM \pm 10%	2100LM \pm 10%	3150LM \pm 10%	4200LM \pm 10%

N.W.

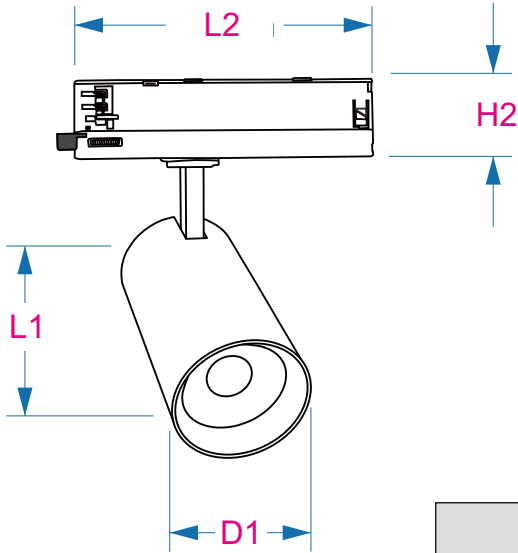
0.33KG	0.35KG	0.53KG	0.9KG
--------	--------	--------	-------

G.W.

0.39KG	0.42KG	0.6KG	0.97KG
--------	--------	-------	--------

Input Voltage	AC200-240V	LED	COB
Base Type	4-wire track head	LED Driver	Flicker Free Driver
Rendering Index	>90Ra	View Angle	36°
LED'S Operating Life	49, 999Hours	Material	Aluminium+PC
Operating Temperature	-20°C --+45°C	Storage Temperature	-30°C --+65°C
Certificates	CE ROHS	Color Temperature	2900-3100K 4000-4500K 5500-6000K

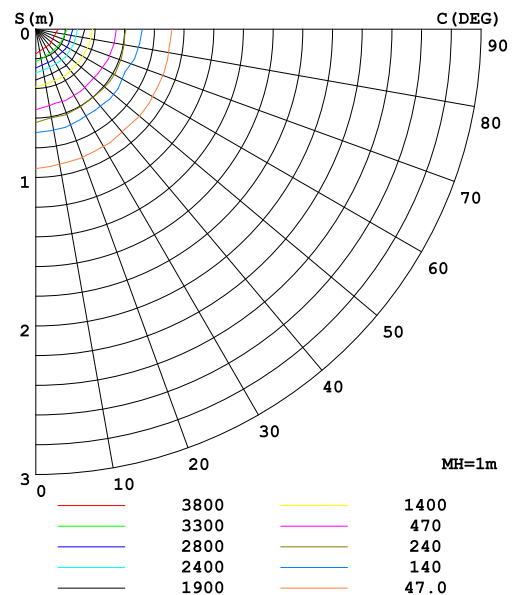
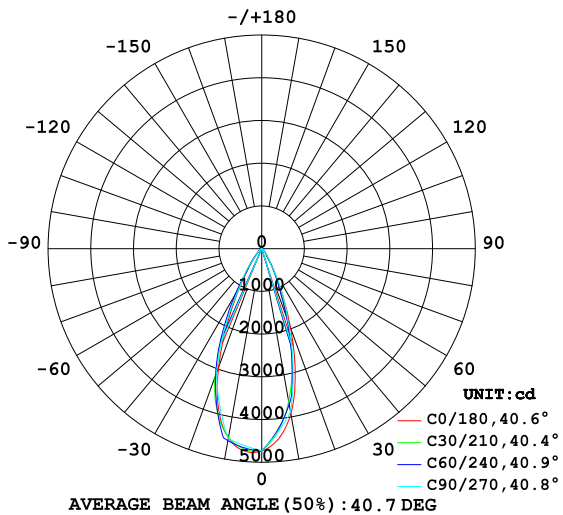
Dimensions



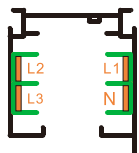
Model	Power	Light Cup Size(D1*L1)	Driver Size(L2*H2)
STK10W230V	10W	Φ 60*120mm	L151*H46mm
STK20W230V	20W	Φ 65*130mm	L151*H46mm
STK30W230V	30W	Φ 78*160mm	L151*H46mm
STK40W230V	40W	Φ 90*158mm	L151*H46mm

Light distribution curve

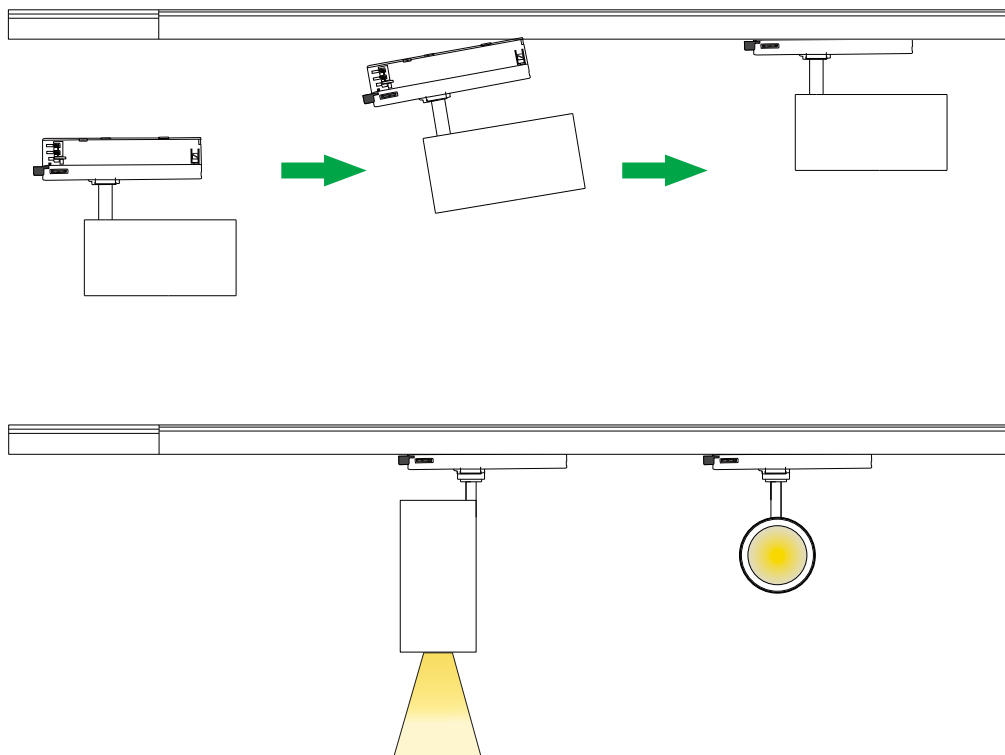
LUMINOUS INTENSITY DISTRIBUTION DIAGRAM



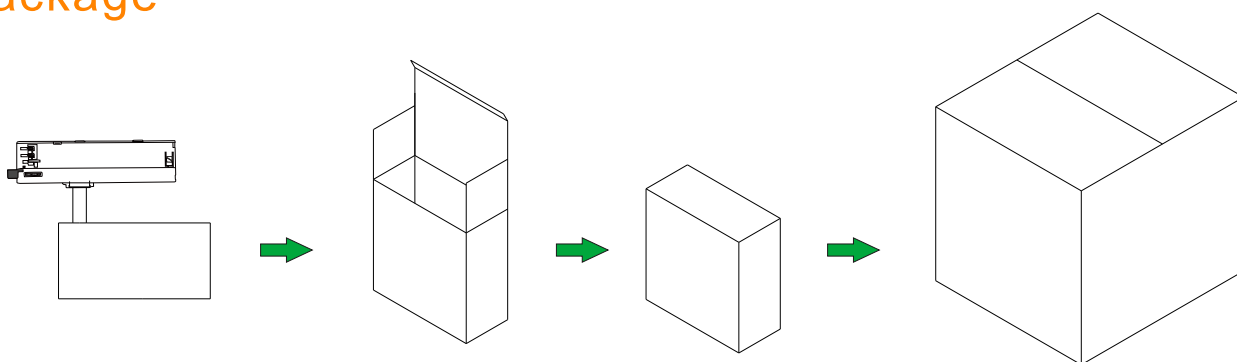
Track head holder use method



Suitable for 4-wire track



Package



Model	Power	Outer Carton Size	G.W	QTY
STK10W230V	10W	L360*W345*H335mm	7.9 KG/carton	20 PCS/carton
STK20W230V	20W	L380*W370*H350mm	8.5 KG/carton	20 PCS/carton
STK30W230V	30W	L445*W440*H375mm	12 KG/carton	20 PCS/carton
STK40W230V	40W	L495*W445*H385mm	19.5 KG/carton	20 PCS/carton

Notice

Installation information:

Power must be cut off before installation, fix it on the position of installation holes, connection of the power supply must be sealed.

1. Please read the specification first, to make sure the service environment matches the condition in the specification before using.
2. Please confirm the applicable power supply before using.
3. Make sure the switch of product is off before connect to the power supply to prevent electric shock.
4. Operation against rules may damage your property even harm to your personal safety.
5. Preliminarily estimate required quantity of LED lights, then according to the power rating of single flood light to figure out the total power and design power supply plan.
6. Dangerous high voltage, Non-professionals are not allowed to maintain the products.
If the exterior flexible cable or wire is damaged, it must exchange by the supplier, its agent or other similar qualified personnels to avoid dangers.