



## Better Lighting Solution For Area

Thanks to a robust aluminum housing with safety tempered glass cover, high quality led and driver, our slim G3 LED Floodlight delivers high lumen efficacy up to 170 lm/w and long lifetime. Asymmetric optical distribution improves light effect.

This product is an ideal solution for most outdoor applications such as wall mounted around building facades, gardens, paths near to buildings, garages, entrance ways and drives.



## Slim G3

### NEW DESIGN

With visor, low spill light

With metal mesh, IK10

Asymmetric optics



The bracket with a dial can provide better support and more precise angle adjustment for the lighting fixture



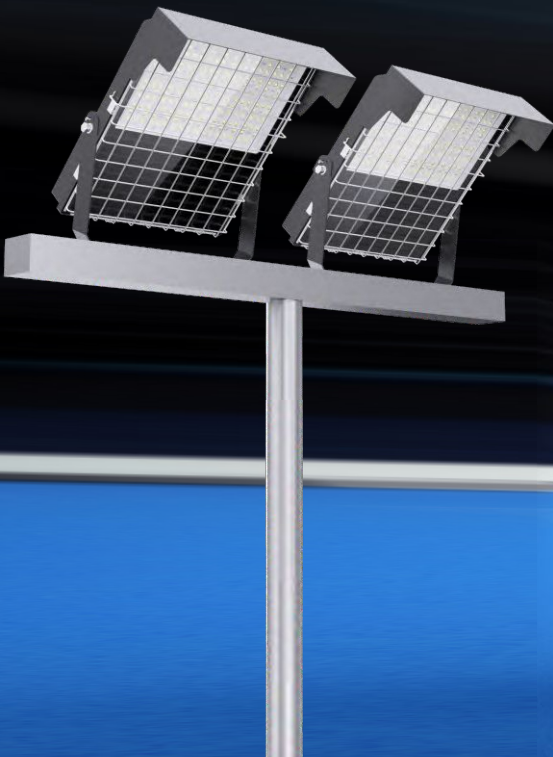
**170LM/W**



## Visor

Asymmetric polarized optics and visor work together to minimize glare, back light, and spill light.

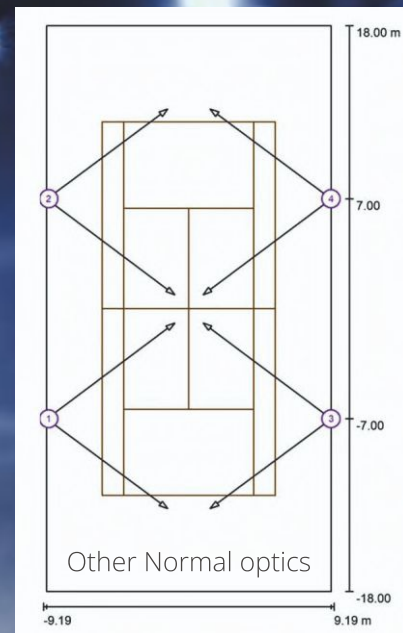
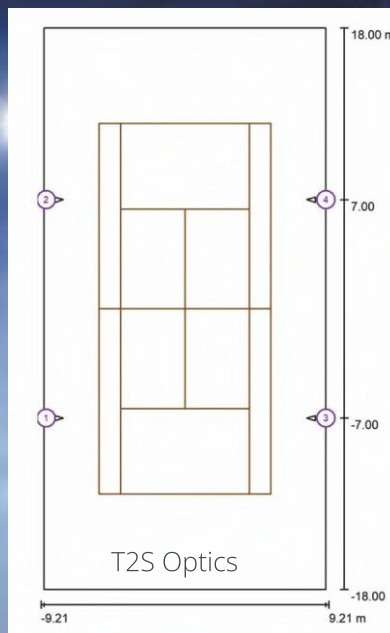
## IP66



## IK10

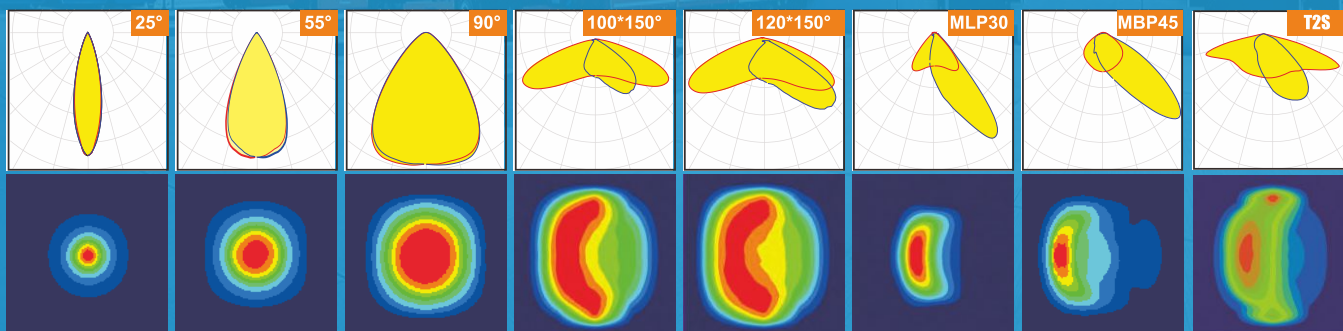


The special optic T2S is a polarized wing shape, which is more suitable for tennis court applications. When installed with a vertical defense line parallel to the ground, there is no need to adjust the angle horizontally or vertically.



## Optics

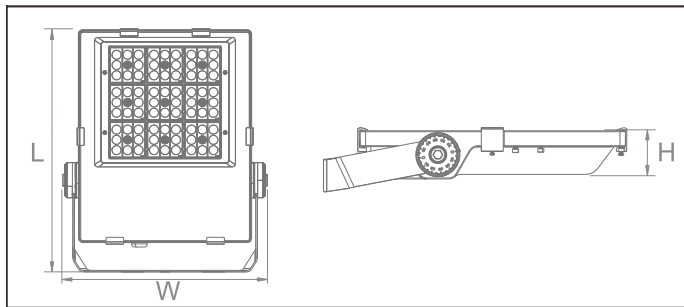
Special designed optics are used for different height and space. They will not only improve the lux and uniformity, but also minimize glare light.





## Features

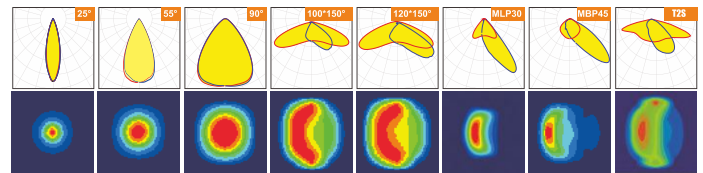
- Housing: Die Cast Aluminum
- Thermal Conductivity: 96 W/m·K
- Led: Philips
- CRI: Ra>70
- SDCM: <5
- Power Factor: >0.95
- THD: <15
- Driver: Sosen
- Driver Efficiency: >93%
- Protection: OTP, OCP, OVP, SCP
- Surge Protection: 6KV
- Waterproof: IP66
- Impact Test: IK08&IK10
- Electrical: 100-277V, 50/60Hz
- Operating Temperature: -40~50°C
- TM21: L90B10>50,000H
- Lifetime: 50,000H



## Functions

ZigBee · DMX · DALI · 0/1~10V

## Optical options:



Model	Watt	Voltage	Lumen	CRI	IP	Dimension
FL100SE1H-PY	100W	100~277V	16000LM	>70	IP66	288*254*57
FL150SE1H-PY	150W	100~277V	25500LM	>70	IP66	332*279*57
FL200SE1H-PY	200W	100~277V	34000LM	>70	IP66	403*333*57
FL240SE1H-PY	240W	100~277V	40800LM	>70	IP66	403*333*57
FL300SE1H-PY	300W	100~277V	54000LM	>70	IP66	490*418*74
FL400SE1H-PY	400W	100~277V	68000LM	>70	IP66	490*418*74

# Packing

## Luminaire

Model	Outer Carton(mm)			QTY / Outer CTN	Luminaire	
	L	W	H		NW(kg)	GW(kg)
FL100SE1H	370	275	105	1	2.50	2.90
FL150SE1H	415	300	120	1	3.20	3.70
FL200SE1H	485	385	140	1	5.20	5.80
FL240SE1H	485	385	140	1	5.20	5.80
FL300SE1H	586	473	165	1	8.50	9.70
FL400SE1H	586	473	165	1	8.50	9.70